

DRAGON'S LAIR

Genevieve Didion K-8

February 2019



5th Grade Field Trip to the State Capitol. Pictured with Senator Richard Pan, M.D.

Highlights from our Feb. issue:

PRINCIPAL'S MESSAGE

Mr. Eder shares important info., including our new school phone number: (916) 395-4575.

STUDENTS OF THE MONTH

The Elk's Lodge Student of the Month program recognizes students Lucky Moua and Helen Tang.

STAFF SPOTLIGHT

Meet our middle school advanced math teacher, Ms. Natalie Liang.

UPCOMING EVENTS

- Feb. 2 Boys Basketball Championship Game at 11:15 am
- Feb. 2 Girls Basketball Championship Game at 12:30 pm
- Feb. 4 Elementary Basketball Tryouts, 4th - 6th Grades, 4:30 - 6:00 pm
- Feb. 5 Elementary Basketball Tryouts, 4th - 6th Grades, 4:30 - 6:00 pm
- Feb. 11 No School in honor of Lincoln's Birthday
- Feb. 13 School Site Council at 2:45 pm
- Feb. 13 Elementary Basketball Season Begins
- Feb. 14 Valentine's Spirit/Dress-Up Day
- Feb. 18 No School in honor of President's Day
- Feb. 20 All School Picture
- Feb. 22 Lunar New Year Parade
- Feb. 28 Battle of the Books
- Mar. 1 MLK Oratorical



PRINCIPAL'S MESSAGE

February is a busy and exciting month at Didion! February is Black History Month and classrooms throughout campus are celebrating the achievements and contributions of African Americans to U.S. History. Also, our annual MLK Oratorical – another amazing event that I have heard so much about, and am excited to see – has been scheduled for Friday, March 1st. This month will also see the tip-off of our elementary basketball season on the 13th, as well as another fun spirit day on the 14th. The Lunar New Year Parade is on the 22nd and the Battle of the Books is slated to go down on the 28th.



Last month our students studied perseverance in their classes, and we acknowledged our Gotcha Ticket winners on Monday the 4th. Our SEL character trait for February is integrity. Students this month will learn about being honest and keeping their word, as well as doing the right thing even when it is difficult to do so. In reflecting on integrity and perseverance, I am reminded of the hard work and effort of our girls and boys basketball teams, as well as our cheer team, through a very successful season. I especially want to thank our coaches – Lauren Oto, Dennis Austin, and Amanda Marang – for all of their time and effort, as well as helping to instill in our student athletes the traits of integrity and perseverance, not to mention countless others. We are proud of all of our teams, and their coaches, for exemplifying these important Didion values this season. Thank you all for working hard and representing Didion with class and grit!

With spring right around the corner, classes will soon begin looking ahead to the California standardized CAASPP exams for 3rd-8th graders. Just as a reminder, all students in grades 3-8 will take these exams in English and math, and all 5th and 8th grade students will also take a science exam. More information will be forthcoming from me and from your teachers, including the testing schedule. In the meantime here are some helpful links to parent resources, including information on practice tests: [Smarter Balanced Summative Assessments](#) (English and math), and the [California Science Test](#).

One last update is that we are transitioning to a **new school phone number: 916-395-4575**. Our old number will still work until the end of the school year, but the new number works right now.

Mr. Eder

A LOOK BACK

WINTER PTA FUNDRAISERS

WINTER CONCERT RECORDING

Thank you for making Winter Concert fundraiser a success! Pre-sale DVD and digital download sales earned us **over \$600 in profits!**

Recordings are still available for purchase.
DVD's - \$25 & Digital Download - \$15. Contact
VideoforDidion@gmail.com.



CHIPOTLE FUNDRAISER

We saw so many Didion families dining at Chipotle during our January 26th fundraiser. Chipotle donated 33% of proceeds to our PTA, **earning us \$866!** Thank you to all who came out.



FIELD TRIPS



5TH GRADE STATE CAPITOL TRIP



4TH GRADE EXPLORATORIUM FIELD TRIP

CURRENT & UPCOMING

AFTER SCHOOL PROGRAMS

Many of our afterschool programs have new sessions starting this month of February and early in March. For more detailed information about all of our afterschool offerings, please visit [Didion's website here](#).

- [Food Explorers Cooking Club](#) (Mondays / 4th-8th) - February session is full. Seats available for April session.
- [Fun to Learn Mandarin](#) (M&W / all grades) - new session starting March 4th
- [Early Engineers](#) (Tuesdays / K-6th) - new session starting March 4th
- [Little Namaste Yoga](#) (Tuesdays / K-5th) - new session starting February 12th
- [Young Actors Stage](#) (T&Th / 1st-8th) - Rehearsals Tuesdays 2:30-5:00 pm and Thursdays 1:30-4:00 pm
- [Violin](#) (Wed / all grades) - new session starting February 6th
- [Honey Code](#) (Wed / 3rd-6th) - new session starting March 14th
- [One Striped Bee](#) (Th / K-3rd) - new session starting March 7th
- [Mad Science](#) (Th / K-6th) - new session starting March 7th
- [Chess Academy](#) (Fridays / all grades) - new session starting February 8th

FEATURED



Last year's Didion cast performing Alice in Wonderland

[Young Actors Stage](#) is coming to Didion this spring with an exciting Broadway Jr. production! Cast members will SING, DANCE, and ACT each day to classic Disney tunes. They will see their hard work pay off and feel the magic of the stage when this full scale production is presented at the 24th Street Theater.

Register at: YoungActorsStage.com

Tuition: \$275

For Students: Grades 1-8

New Parent Information Meeting

Date: Thurs, Feb 7 (6:30-7:30pm)

Location: YAS Studio
(3747 W. Pacific Ave, Sac, 95820)

Last Day to Register

Thursday, February 21

Auditions

Date: Tuesday, Feb 26 (2:30-5:00)

Location: Genevieve Didion

Rehearsals

March 5-April 25

Tues (2:30-5:00)/Thurs (1:30-4:00)

Tech Week & Performances

April 27-May 5

Location: 24th Street Theater

GARDEN NEWS - WINTER HARVEST

This week the first graders participated in our 3rd winter harvest at Didion. Afterwards, they enjoyed a delicious, organic salad. Not only did they eat lettuce, they munched on kohlrabi, radishes, cauliflower, broccoli, and green onions. We heard lots of kids exclaim about the tasty vegetables! It makes growing vegetables well worth it.



Mrs. Keating's 1st Grade Class in the Didion Garden

TAKE NOTE

The Scholastic Book Fair has been canceled for March, but will return May 27-31.

FATHER DAUGHTER DANCE

Friday, March 29th, 6:00 - 8:30 PM

"Find a mask and wear it well, so your identity no one can tell!"

The Father Daughter dance is back! Don't miss out on this fun-filled night! We'll see you on March 29th from 6-8:30 pm for an elegant Masquerade Ball. Be on the lookout for the pre-sale flier and donation sign-ups at the end of the month. See you there!

2019 Didion
Father Daughter Dance

*Masquerade
Ball*



STUDENTS OF THE MONTH

The Elk's Lodge #6 has a Student of the Month program that recognizes one high achieving student from area schools each month. They generously host a luncheon for the Student of the Month recipient and his or her family where they recognize the student and award him or her a small gift.



LUCKY MOUA

Selected for December

How many years have you attended Didion?

This is my first year at Didion.

What's different about Didion? The students here are a lot more appropriate in some ways.

What has been your favorite memory of Didion?

Probably the bowling field trip in December. My friend Elliot scored a strike for me, and I won my match.

What high school do you plan on attending next year? Kennedy and the PACE program.

How do you want to be remembered by your classmates and your teachers? That I was a collaborative student who was able to help out his classmates.

What's your favorite activity when you're not working hard? I like doing outside activities and playing with my younger siblings. For example, we like to play tag or just play ball until we get tired.

What's your favorite fast food meal? I like cheeseburgers from Burger King or McDonalds, and I like to eat fries with it.

What's something that most people don't know about you? I don't read as many books as people think I do. I read when I get bored though because it takes away stress.

HELEN TANG

Selected for January

How many years have you attended Didion?

This is my third year at Didion.

What has been your favorite memory of Didion?

Studying together with my friends and helping each other out.

What high school do you plan on attending next year? Kennedy and the PACE program.

How do you want to be remembered by your classmates and your teachers? That I'm helpful and hardworking.

What's your favorite activity when you're not working hard? I run in the morning for 30 minutes, and I swim for the Arden Arcade Piranhas team. I usually do practice three times a week for two hours. I like swimming because I like to challenge myself and I like the feel of water.

What's your favorite fast food meal? I don't eat fast food, but my favorite meal is orange chicken.

What's something that most people don't know about you? I went to five different elementary schools in China.



STAFF SPOTLIGHT

WEI (NATALIE) LIANG

Middle School Advanced Math Teacher

Ms. Wei Liang is in her first year of teaching at Genevieve Didion K-8 school. She teaches Compacted Math for 7th and 8th grades and also supports 7th grade math. She feels blessed to be teaching at an amazing school that has a loving environment where students are encouraged to challenge themselves and learn from their experiences.

How did you know you wanted to be a math teacher?

Math has always been my favorite subject. I have been so fortunate to be involved with Math Olympiad training activities since 3rd grade. As I grew up, I realized how math can help people think analytically and have better reasoning skills. Also, we can use math as a tool to solve real-life problems, make better decisions, and make predictions. Thus, I choose to be a math teacher so that I can share my thoughts and knowledge with others.

What do you love about your job?

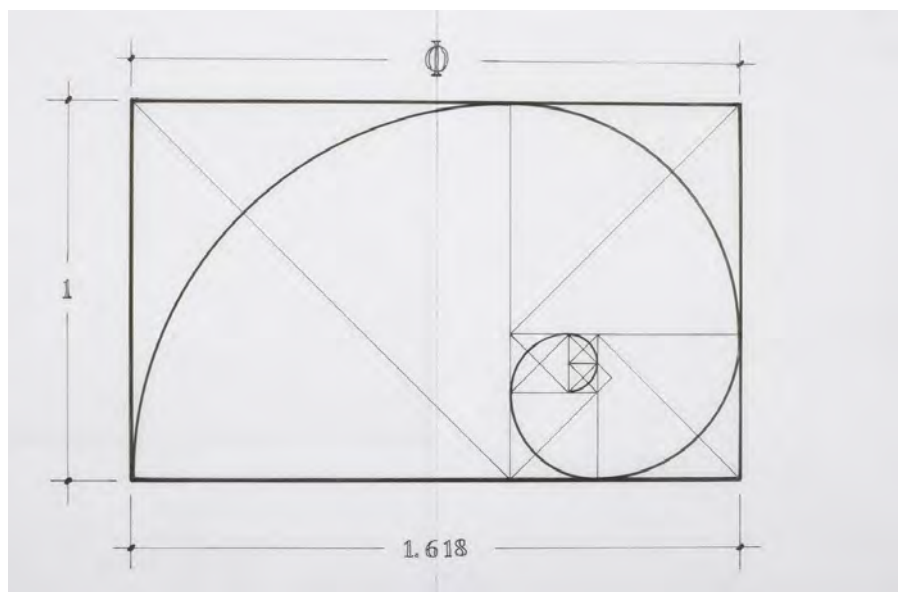
I am glad to have students who have the same passion for this subject. I love the interactions with my students and their parents. Everyone on this campus is so nice and kind.

What's your favorite number and why?

My favorite number is 1.618. It is a special number in math.

My students would be surprised to know... that I can speak two other languages other than English.

It will always make me smile when... my students raise both hands in order to get a chance to answer my question.



Golden Ratio drawn by Rafael Araujo

NOTES FROM THE PTA

The Parent-Teacher Association (PTA) supports the Didion community through fundraising and volunteer efforts

UPCOMING PTA MEETINGS

PTA Meetings are held every other month, on the first Wednesday of the month at 6:00 PM in the library. Childcare is provided.

- MARCH 6TH
- MAY 1ST

DIDION FUNDRAISERS

Upcoming & Current Ways to Support our School

- **NUGGET SCRIP CARDS**

Nugget scrip cards are now available in the Didion front office! Pick up yours today so you can donate to Didion when you shop at the Nugget.

- **DIDION GEAR**

Support our school AND sport your Didion gear every Friday! Available for purchase at the front office.

- **AMAZON SMILE**

A simple and automatic way for you to support our school every time you shop on Amazon. [Click here to start.](#)

- **SHOPPING TO EDUCATE**

Do you shop at Lakecrest Village? Help earn cash for Didion by turning in your receipts to the front office.

- **BOX TOPS**

From Cheerios to Kleenex, Ziplock to Fruit Roll-ups, save your Box Tops and turn them into your child's teacher.

Lunar New Year Parade Year of the Pig

February 22, 2019

Friday.....1:00 p.m.

Genevieve Didion K-8 Playground Track/Gym



Attention Didion Families:

Genevieve Didion K-8 will have a Lunar New Year parade to celebrate the **Year of the Pig**. The parade's focus celebrates all cultures. Students will participate by walking with their classes around the playground track.

Highlights of the parade include lion dancers, dragons, lanterns, props made by students, and much more!

All students are encouraged to wear traditional Asian garments or garments of their own heritage or the "good luck" color of red on this day.

Parents and community members are invited to come and watch the parade. Please feel free to dress in your own traditional garment of your own heritage to showcase your culture! Parade will go on rain or shine. We look forward to seeing you at our special event!



Gung Hay Fat Choy!

2019 Didion
Father Daughter Dance

*Masquerade
Ball*



Find a marvelous mask and wear it well, so your identity no one can tell.

Friday, March 29th 6:00 – 8:30

*Enchanted Dancing, Magical Photo Booth, Delightful Raffle,
Mysterious Mask Craft, and Refreshments!*

Save money on presale tickets! Return this form with payment to your teacher/office by March 15th!

The fathers in our lives come in many forms—all father figures are welcome!

PRESALE PRICE	AFTER MARCH 15
\$25	\$35 for 1 daughter
\$35	\$45 for 2 daughters
\$45	\$55 for 3 or more daughters

Your help is needed! Please check the signup.com to volunteer and to donate food, drinks and raffle prizes.
If you have any questions, please contact Cathy Rechs rechscathy@gmail.com or Erin Pacheco erinmpacheco@gmail.com

2019 Didion Father Daughter Dance Presale Form – Due March 15

Student Name(s):

Teacher Name(s):

Room #:

\$25 for 1 daughter \$35 for 2 daughters \$45 for 3 or more daughters

Professional portraits, circle one: \$15 for 2 prints (1 pose) \$30 for 4 prints (2 poses) \$45 for 6 prints (3 poses)

\$ _____ raffle tickets, fill in dollar amount, sold in bundles of 10 tickets for \$5

TOTAL AMOUNT ENCLOSED: \$ _____ Payment, circle one: CASH CHECK (payable to Didion PTA)